

VKsystem

Especialistas en Climatización Agrícola y Ganadera
Specialists in Agricultural and Livestock Climate Control

VK-5VCM / VK-25VCM

Controllers



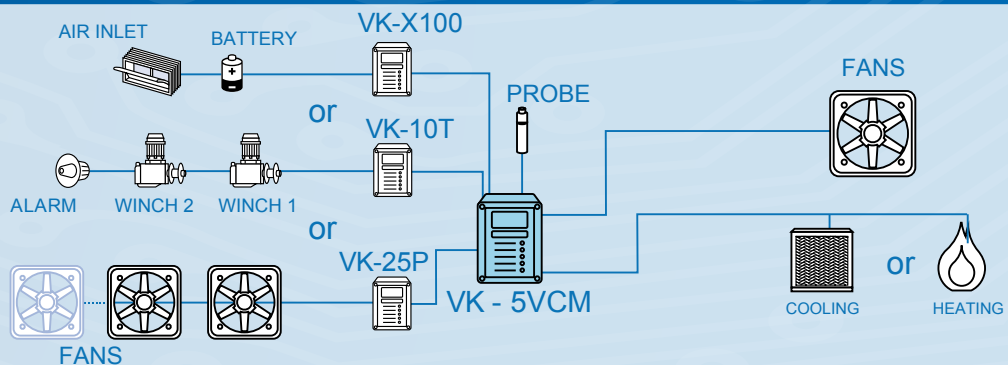
The controllers VK-5VCM and VK-25VCM are simple and complete devices designed to control the ventilation, maintaining in the optimal way the desired temperature.

It has an auxiliary configurable relay to control heating or cooling systems and one proportional output which permits to control air inlets, power amplifiers, etc.

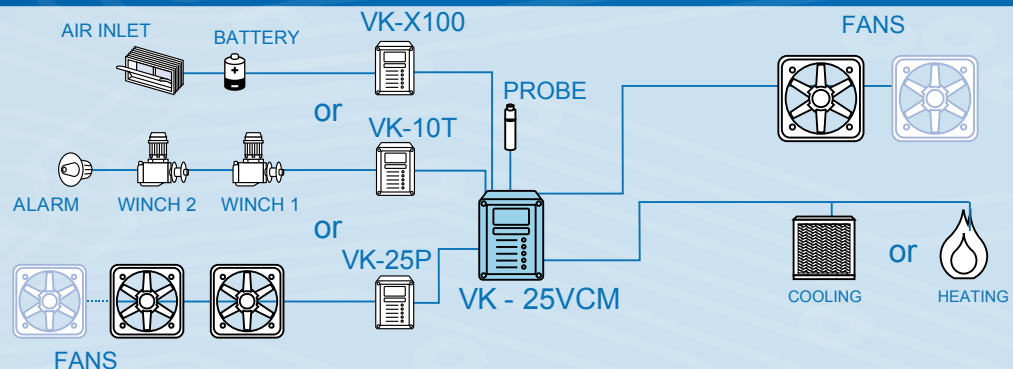
Its programming and operating using the menus is simple, the desired information is visualized in a clear way in the display.

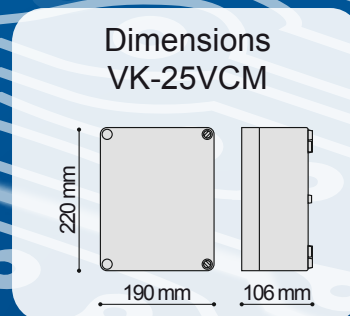
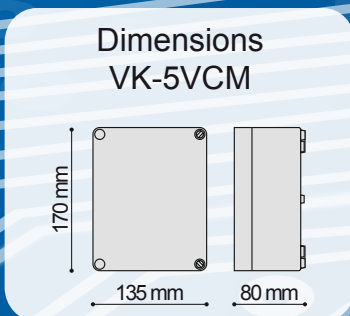
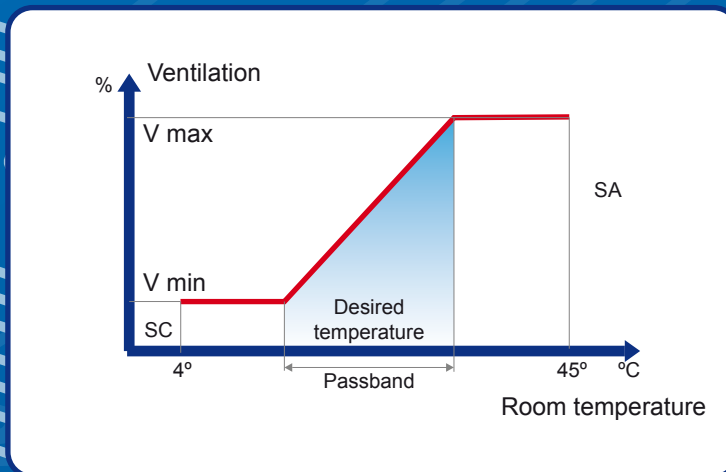
This device is of high precision, reliable production and with great capability of regulation, which perfectly adapts to any area of the farm.

Scheme
VK-5VCM



Scheme
VK-25VCM





Characteristics

Power supply	230V / 50Hz
Ventilation max load	VK-5VCM: 8A / VK-25VCM: 20A
Relay max load	2A / 230V
Analog Proportional output	0-10Vdc (Configurable)
Precision	0,1°C
Protection Fuse	125mA
Fuse protection of the regulated output	10A (Only VK-5VCM)
Protection level	IP 54
Min and max programmable percentage of ventilation	
Stop function	
Percentage of current ventilation	
EMI filter	
Complies with CE regulations	

Tel: +34 983 101 043 Fax: +34 983 101 049

www.vkssystem.com

vkssystem@vkssystem.com