

# VKsystem

Especialistas en Climatización Agrícola y Ganadera

## VK-10/25DP

Specialists in Agricultural and Livestock Climate Control

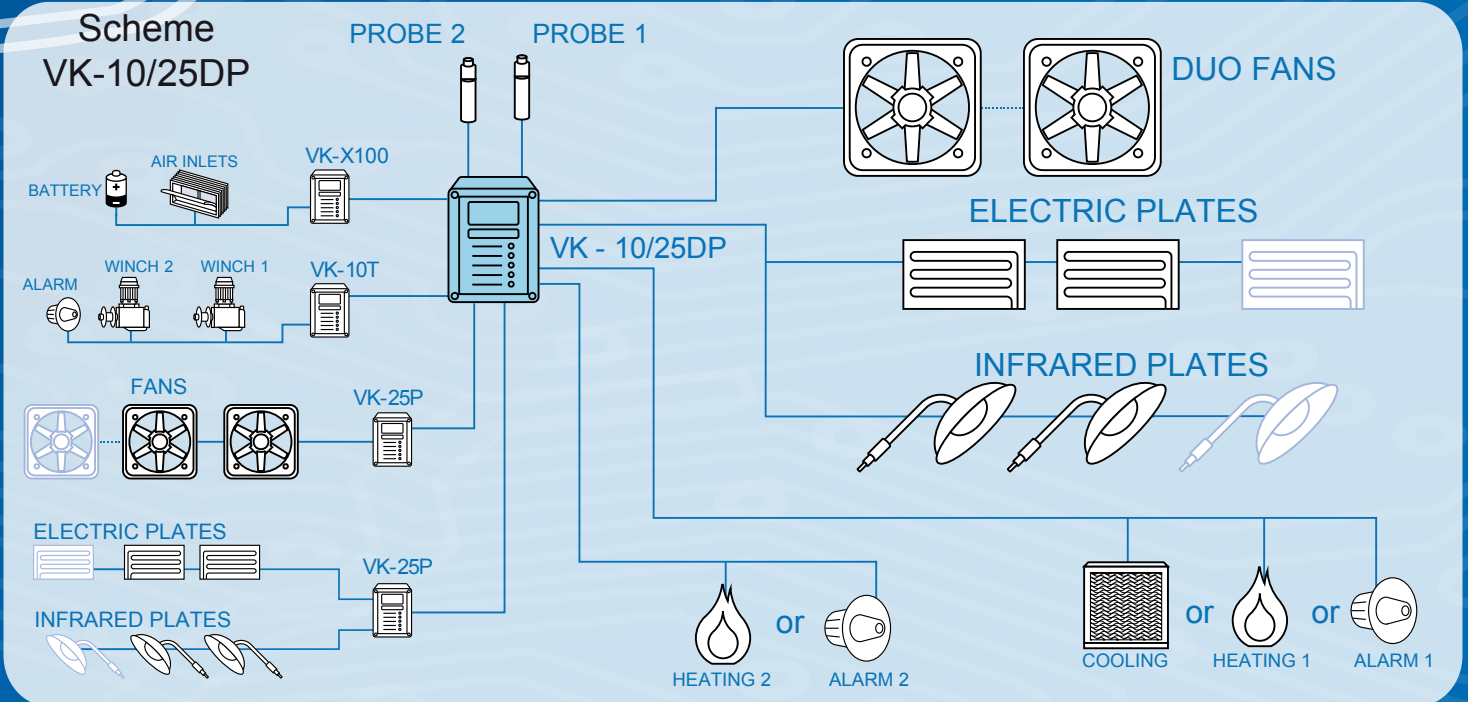
## Controller

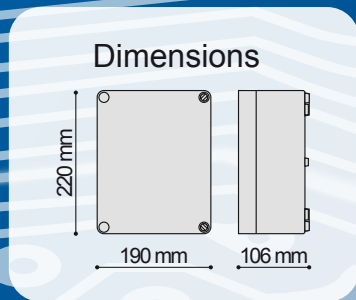
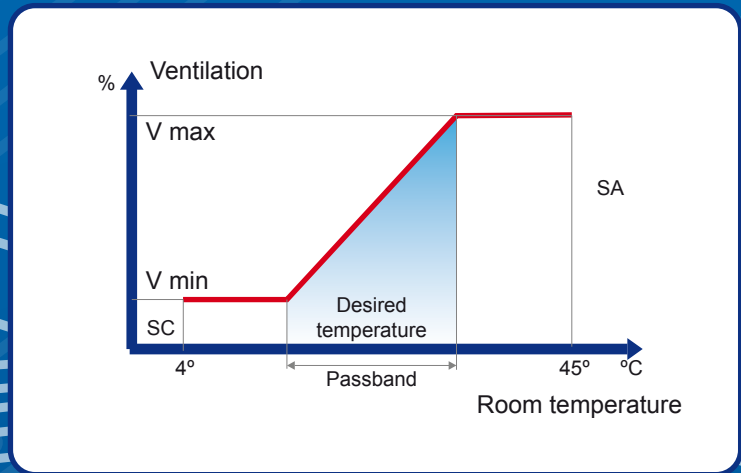
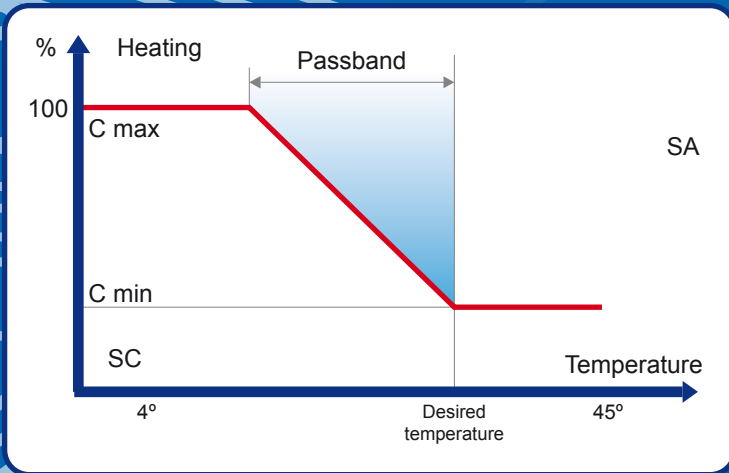


Dual controller of ventilation and heating VK-10/25 DP is an ideal device for farrowing. This device consists of two independent parts: ventilation control unit and heating control unit, the information is displayed constantly on the double screen.

In addition to regulable outputs, it has two proportional outputs to connect auxiliary devices, three potential-free configurable contacts for external systems and the possibility of DUO function extraction in two separate ventilation levels.

Dual controller VK-10/25 DP is a compact, multi-functional, easy to use device that can satisfy all the requirements for air-conditioning in the room due to its flexible settings.





Characteristics	
Power supply	230V / 50Hz
Max ventilation load	10A
Max heating load	20A
Max relay load	3 x 2A / 230V
Proportional analog outputs	2 x 0-10 (Configurable)
Precision	0,1°C
Principal Fuse Protection	125mA
Principal Fuse Protection of ventilation output	10A
Protection level	IP 54
Max and min programmable output levels with possibility of stop function	
DUO function	
ON/OFF function, Statistics, Current ventilation, alarm detection and indication system	
EMI filter	
Complies with CE regulations	