

VKsystem

Especialistas en Climatización Agrícola y Ganadera

VK-10/10VC

Specialists in Agricultural and Livestock Climate Control

Controllers

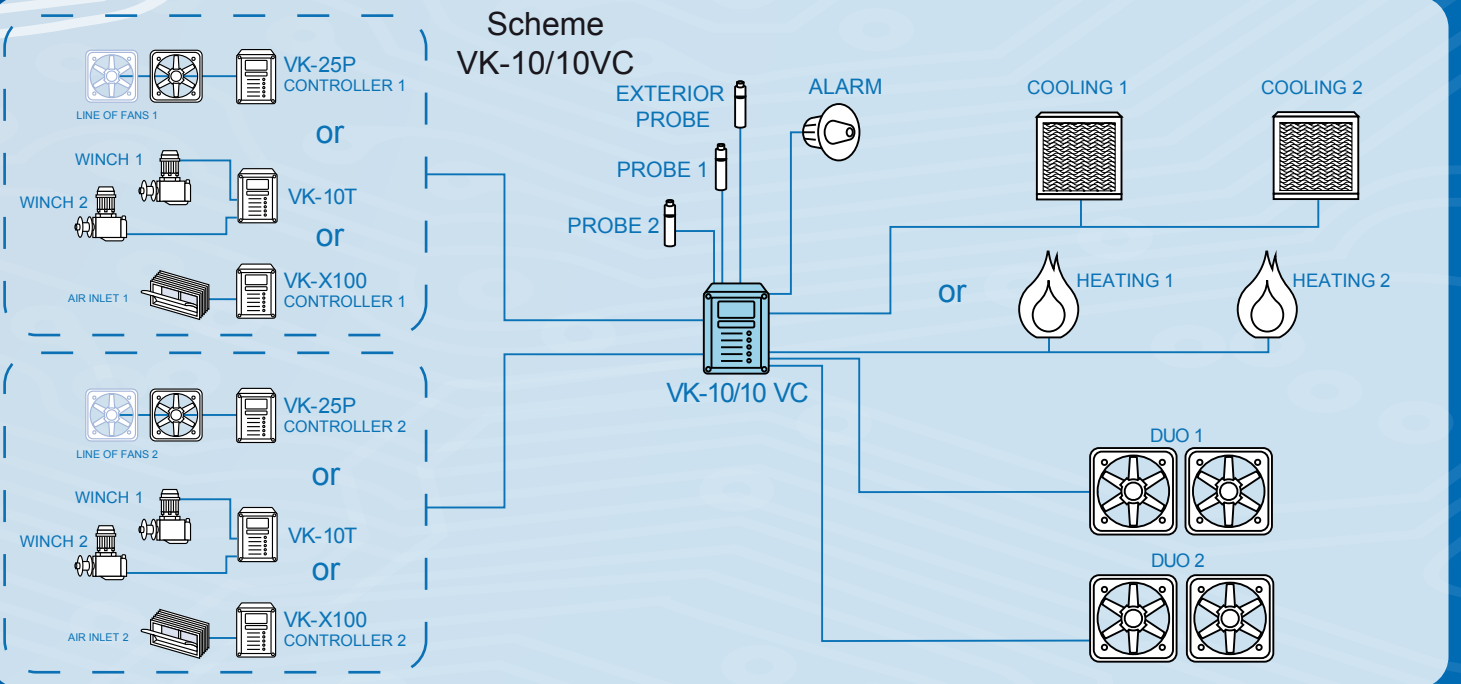


VK-10/10VC is a controller designed to control two independent rooms of the farm. To do this, the device disposes two proportional outputs, two configurable relays for heating or cooling system, two proportional outputs for connection to the power amplifiers, window control system or air inlets, etc.

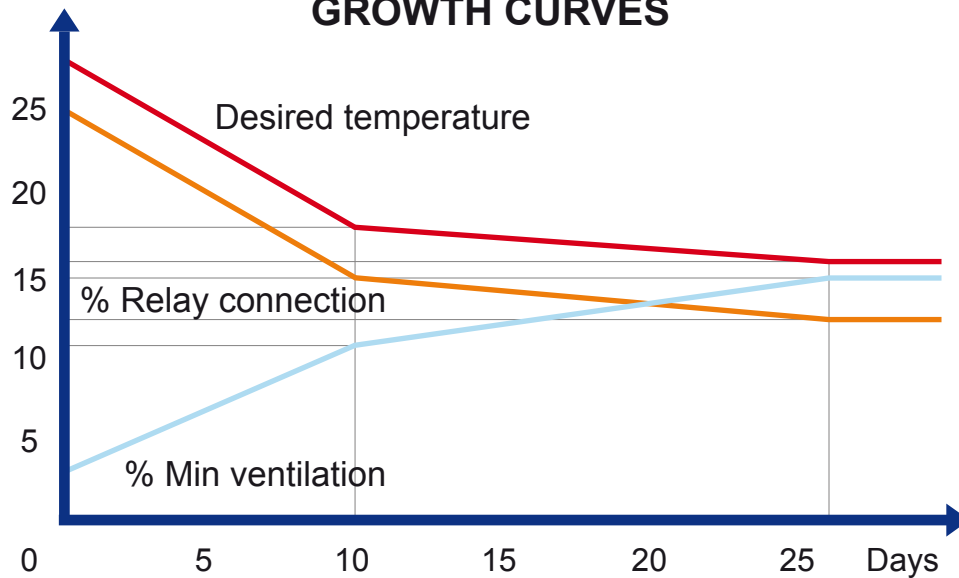
The main characteristics of this device are the multifunctionality and ability to work according to predetermined temperature growth curves. VK-10 / 10VC has an external sensor for the outside temperature. Function «DUO» allows us to provide optimal control of a pair of fans. The device has a special function- it stops ventilation at a temperature lower than the desired temperature, and the collection of statistics....

Has a backlit LCD display with an easy programming and visualization system.

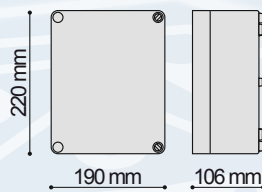
Scheme
VK-10/10VC



GROWTH CURVES



Dimensions



Characteristics

Power supply	230V / 50Hz
Maximum Ventilation Load	2 x 10A
Maximum Auxiliary Relay Load	2 x 2A / 230V
Analog Outputs	2 x 0 - 10 Vdc
Precision	0,1°C
Principal protection fuse	125 mA
Output protection fuse	2 x 10A
Protection level	IP 54
Max and min configurable ventilation	
Exterior probe	
Duo function	
Growth Curves-one or two cycles	
ON/OFF function. Statistics. Current ventilation, Passband, Max and Min ventilation and heating, Stop of fans function, etc.	
Emi filter	
Comply with CE standards	

Tel: +34 983 101 043 Fax: +34 983 101 049

www.vksystem.com

vksystem@vksystem.com